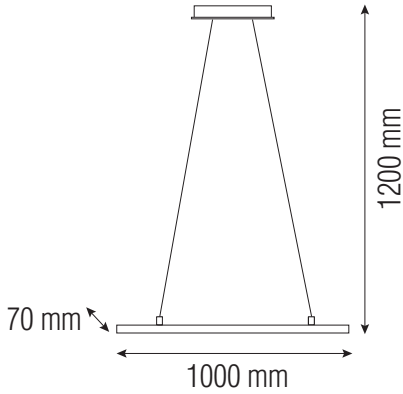


LED SUSPENSION LIGHT

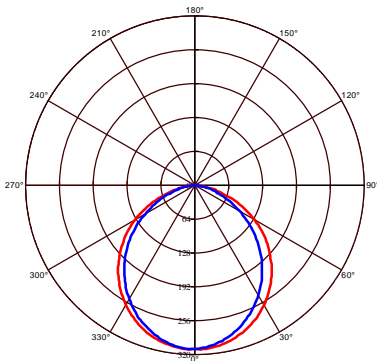


CHROME

Technical Drawing



Photometric Diagram



CO Plane beam angle(50%) C90 Plane beam angle(50%)
CO Plane beam angle(50%):109.5(DEG) C90 Plane beam angle(50%):99.1(DEG)

Product&Family Code:

019 031 0024

CALIBUR-24

Technical Data

Voltage (V)	110-240
Product Wattage (W)	24
Equivalence with incandescent lamp(W)	192
Colour Render Index (Ra)	>Ra80
Colour Temperature (K)	4000K
Materials	Aluminium + Acrylic
Protection Class	I
Dimmable	No
EEL	-
Warm-up time up to 60 % of the full light output	Instant Full Light
Luminous Flux (lm)	1800
Luminous Efficacy (lm/W)	75
Rated Life (hrs) ⌚	30.000
IP Rating	20
Power Factor	>0.5
Beam Angle	120°

Applications

- LED Suspension Light has been specifically designed for use indoors and is ideal for both hospitality and residential lighting.



Features

- High Lumen and CRI, Good quality & Constant Current driver.
- High heat dissipation, low carbon and environmental protection.
- SMD LED Lamp Base
- Very low energy consumption

