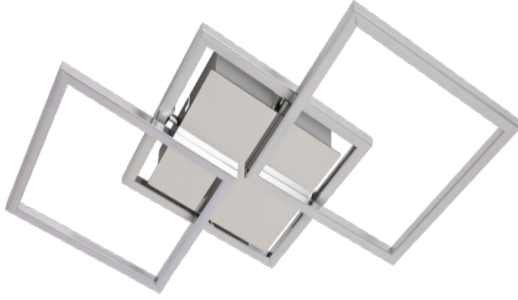


LED SUSPENSION LIGHT

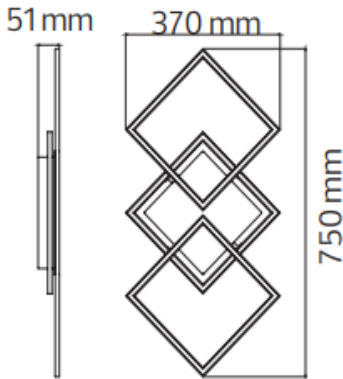
Product&Family Code: 019 059 0040

MONZA

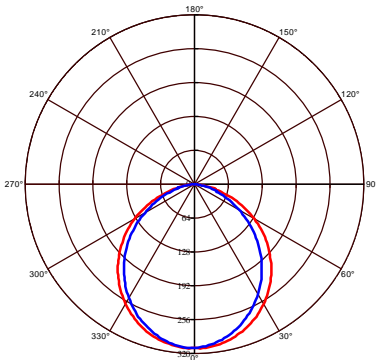


CHROME

Technical Drawing



Photometric Diagram



Technical Data

Voltage (V)	180-240
Product Wattage (W)	40
Equivalence with incandescent lamp(W)	320
Colour Render Index (Ra)	>Ra80
Colour Temperature (K)	4000K
Materials	CHROME + PC
Protection Class	I
Dimmable	No
Warm-up time up to 60 %of the full light output	Instant Full Light
Luminous Flux (lm)	2400
Luminous Efficacy (lm/W)	60
Rated Life (hrs) ⌚	30.000
IP Rating	20
Power Factor	>0.5
Beam Angle	120°

Applications

- LED Suspension Light has been specifically designed for use indoors and is ideal for both hospitality and residential lighting.



Features

- High Lumen and CRI, Good quality & Constant Current driver.
- High heat dissipation, low carbon and environmental protection.
- SMD LED Lamp Base
- Very low energy consumption

