

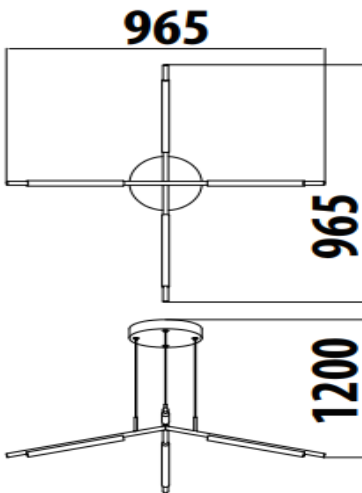
# LED SUSPENSION LIGHT

Product&amp;Family Code: 019 077 0032

**EDMOND-32**

**BLACK**

## Technical Drawing



## Technical Data

|   |                     |
|---|---------------------|
| Voltage (V)                                     | 175-265V            |
| Product Wattage (W)                             | 32                  |
| Equivalence with incandescent lamp(W)           | 256                 |
| Colour Render Index (Ra)                        | >Ra80               |
| Colour Temperature (K)                          | 4000K               |
| Materials                                       | Aluminium + Silicon |
| Protection Class                                | I                   |
| Dimmable  | No                  |
| EEL   | -                   |
| Warm-up time up to 60 %of the full light output | Instant Full Light  |
| Luminous Flux (lm)                              | 1640                |
| Luminous Efficacy (lm/W)                        | 51                  |
| Rated Life (hrs) ⌚                              | 30.000              |
| IP Rating                                       | 20                  |
| Power Factor                                    | >0.5                |
| Beam Angle                                      | 180°                |

## Applications

- LED Suspension Light has been specifically designed for use indoors and is ideal for both hospitality and residential lighting.



## Features

- High Lumen and CRI, Good quality & Constant Current driver.
- High heat dissipation, low carbon and environmental protection.
- SMD LED Lamp Base
- Very low energy consumption

