

LED DECORATIVE CEILING LAMP

Product&Family Code: 027 023 0048

RAPSODY 3CCT



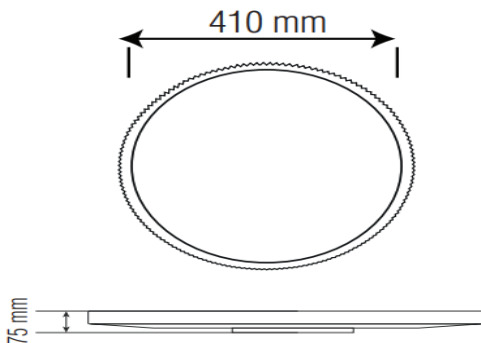
WHITE

Technical Data	
Voltage (V)	160-265V
Product Wattage (W)	48
Equivalence with incandescent lamp	384
Colour Render Index (Ra)	>80
Colour Temperature (K)	3CCT
Materials	Metal + Plastic
Protection Class	II
Dimmable	No
EEI	-
Warm-up time up to 60 %of the full light output	Instant Full Light
Luminous Flux (lm)	3720
Luminous Efficacy (lm/W)	77,5
Rated Life (hrs) Ⓟ	20.000
IP Rating	20
Power Factor	>0.9
Beam Angle	160°
Starting Time	<0.2s
Number of ON-OFF cycling	x10.000

CCT ADJUSTABLE



Technical Drawing



Applications

Living room, Bedroom, Kitchen, Cinema, Gallery, Hospital, Hotel, Museum etc.

Features

- High Lumen and CRI, Good quality & Constant Current driver.
- High heat dissipation, low carbon and environmental protection.
- Innovative design of assembly structure.
- Extremely Long Life.

