

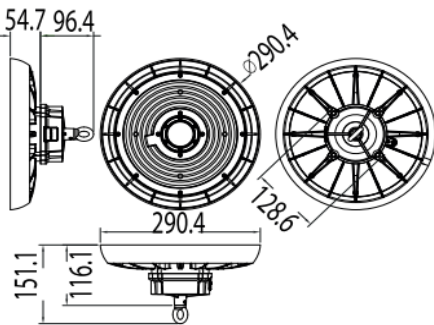
# LED HIGH BAY LAMP

 Product&Family Code: **063 003 0150**
**ARTEMIS-150**


## Technical Data

|   |                            |
|---|----------------------------|
| Voltage (V)                                     | 100-265V                   |
| Product Wattage (W)                             | 150                        |
| Equivalence with incandescent lamp(W)           | 1200                       |
| Colour Render Index (Ra)                        | >Ra80                      |
| Colour Temperature (K)                          | 6400K                      |
| Materials                                       | Aluminium Die Casting Body |
| Protection Class                                | I                          |
| Dimmable  | No                         |
| EEI   | -                          |
| Warm-up time up to 60 %of the full light output | Instant Full Light         |
| Luminous Flux (lm)                              | 22.500                     |
| Luminous Efficacy (lm/W)                        | 150                        |
| Rated Life (hrs) ⌚                              | 30.000                     |
| IP Rating                                       | 65                         |
| Power Factor                                    | >0.9                       |
| Beam Angle                                      | 90°                        |
| Starting Time                                   | <0.2s                      |
| Number of ON-OFF cycling                        | x15.000                    |

## Technical Drawing



## Applications

- Warehouse, indoor and outdoor lighting areas.



## Features

- High Lumen and CRI, Good quality & Constant Current driver.
- High heat dissipation, low carbon and environmental protection.
- SMD LED Lamp Base.
- Very low energy consumption.

