

# LED HIGH BAY LAMP

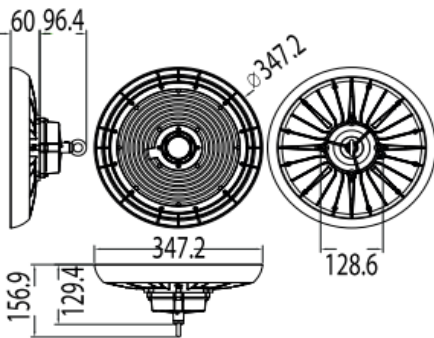
Product&amp;Family Code: 063 003 0200

**ARTEMIS-200**


## Technical Data

Voltage (V)	100-265V
Product Wattage (W)	200
Equivalence with incandescent lamp(W)	1600
Colour Render Index (Ra)	>Ra80
Colour Temperature (K)	6400K
Materials	Aluminium Die Casting Body
Protection Class	I
Dimmable	No
EEI	-
Warm-up time up to 60 %of the full light output	Instant Full Light
Luminous Flux (lm)	30.000
Luminous Efficacy (lm/W)	150
Rated Life (hrs) ⌚	30.000
IP Rating	65
Power Factor	>0.9
Beam Angle	90°
Starting Time	<0.2s
Number of ON-OFF cycling	x15.000

## Technical Drawing



## Applications

- Warehouse, indoor and outdoor lighting areas.



## Features

- High Lumen and CRI, Good quality & Constant Current driver.
- High heat dissipation, low carbon and environmental protection.
- SMD LED Lamp Base.
- Very low energy consumption.

