

LED DOWNLIGHT

016 072 0012

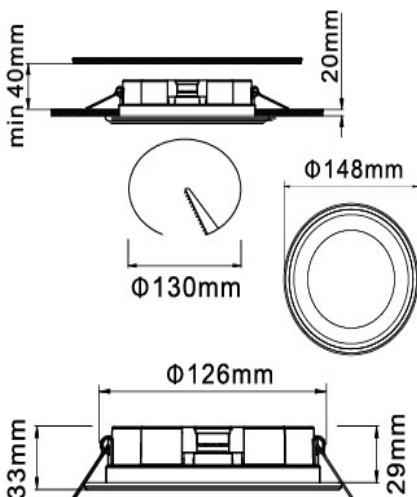
CARTER-12



Easy connection available
Linked Sets: Max. 8 pcs
(12w)

BLACK/WHITE

Technical Drawing



Technical Data

Voltage (V)	170-265V
Product Wattage (W)	12
Equivalence with incandescent lamp	40
Colour Render Index (Ra)	>Ra80
Colour Temperature (K)	4200K
Materials	Plastic
Protection Class	II
Dimmable	No
Warm-up time up to 60 % of the full light output	Instant Full Light
Luminous Flux (lm)	1000
Luminous Efficacy (lm/W)	83.3
Rated Life (hrs) ⌚	30.000
IP Rating	20
Power Factor	>0.5
Beam Angle	90.5°
Starting Time	<0.2s
Number of ON-OFF cycling	x15.000

Applications

- Airport, Bathroom, Bedroom, Car Park, Cinema, Gallery, Hospital, Hotel, Kitchen, Museum etc.



Features

- High Lumen and CRI, Good quality & Constant Current driver.
- High heat dissipation, low carbon and environmental protection.
- SMD LED Lamp Base.

