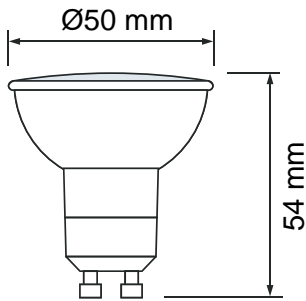


# LED BULB

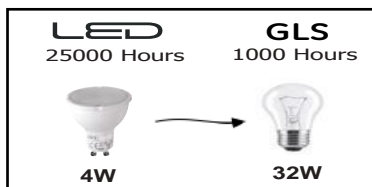
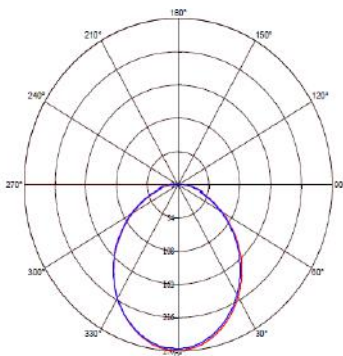
Product&amp;Family Code: 001 002 0004


**PLUS-4**


Technical Drawing



Photometric Diagram



Technical Data	
Voltage (V)	175-250V
Product Wattage (W)	4
Equivalence with incandescent lamp	32
Colour Render Index (Ra)	>Ra80
Colour Temperature (K)	3000K-4200K-6400K
Materials	Aluminium Housing with PMMA Diffuser
Protection Class	-
Dimmable	No
EEL	
Warm-up time up to 60 % of the full light output	Instant Full Light
Luminous Flux (lm)	290
Luminous Efficacy (lm/W)	72.5
Rated Life (hrs) Ⓟ	25.000
IP Rating	-
Power Factor	>0.4
Beam Angle ☆	105 °
Starting Time	<0.5
Number of ON-OFF cycling	x12.500

## Applications

- The luminaire is an excellent solutions for market, museum, restaurant, show room, and other spot lighting needed.



## Features

- Low power consumption
- Efficient replacement for incandescent lamps
- Mercury free, no UV and IR radiation
- Instant on, 100% light output

