

LED PANEL

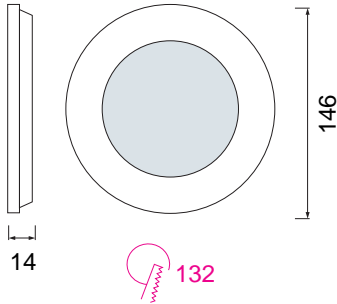
Product&Family Code: 056 003 0009

SLIM-9

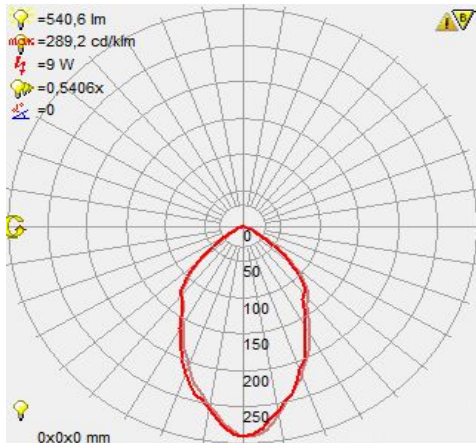


WHITE

Technical Drawing



Photometric Diagram



Technical Data

| | |
|---|-----------------------|
| Voltage (V) | 100-265V |
| Product Wattage (W) | 9 |
| Equivalence with incandescent lamp(W) | 72 |
| Colour Render Index (Ra) | >Ra70 |
| Colour Temperature (K) | 2700K / 4200K / 6400K |
| Materials | Aluminium |
| Protection Class | II |
| Dimmable | No |
| EEI | - |
| Warm-up time up to 60 %of the full light output | Instant Full Light |
| Luminous Flux (lm) | 540 |
| Luminous Efficacy (lm/W) | 60 |
| Rated Life (hrs) ⌚ | 50.000 |
| IP Rating | 20 |
| Power Factor | >0.5 |
| Beam Angle | 120° |
| Starting Time | <0.2s |
| Number of ON-OFF cycling | x25.000 |

Applications

- Office Lighting, Meeting Rooms, Restaurants, Hospitals, all indoor applications.



Features

- High Lumen and CRI, Good quality & Constant Current driver.
- High heat dissipation, low carbon and environmental protection.
- SMD LED Lamp Base.
- Very low energy consumption.

